

**ÜBERSICHTSZEICHNUNG**  
**ASSEMBLY DRAWING**

***GHOST***



**HYB ASX 2.7 / 4.7 / 6.7 (MY20)**

Datum: 02-03-2020

Version: 02



HYB ASX 2.7 / 4.7 / 6.7 (MY20)

date: 02-03-2020

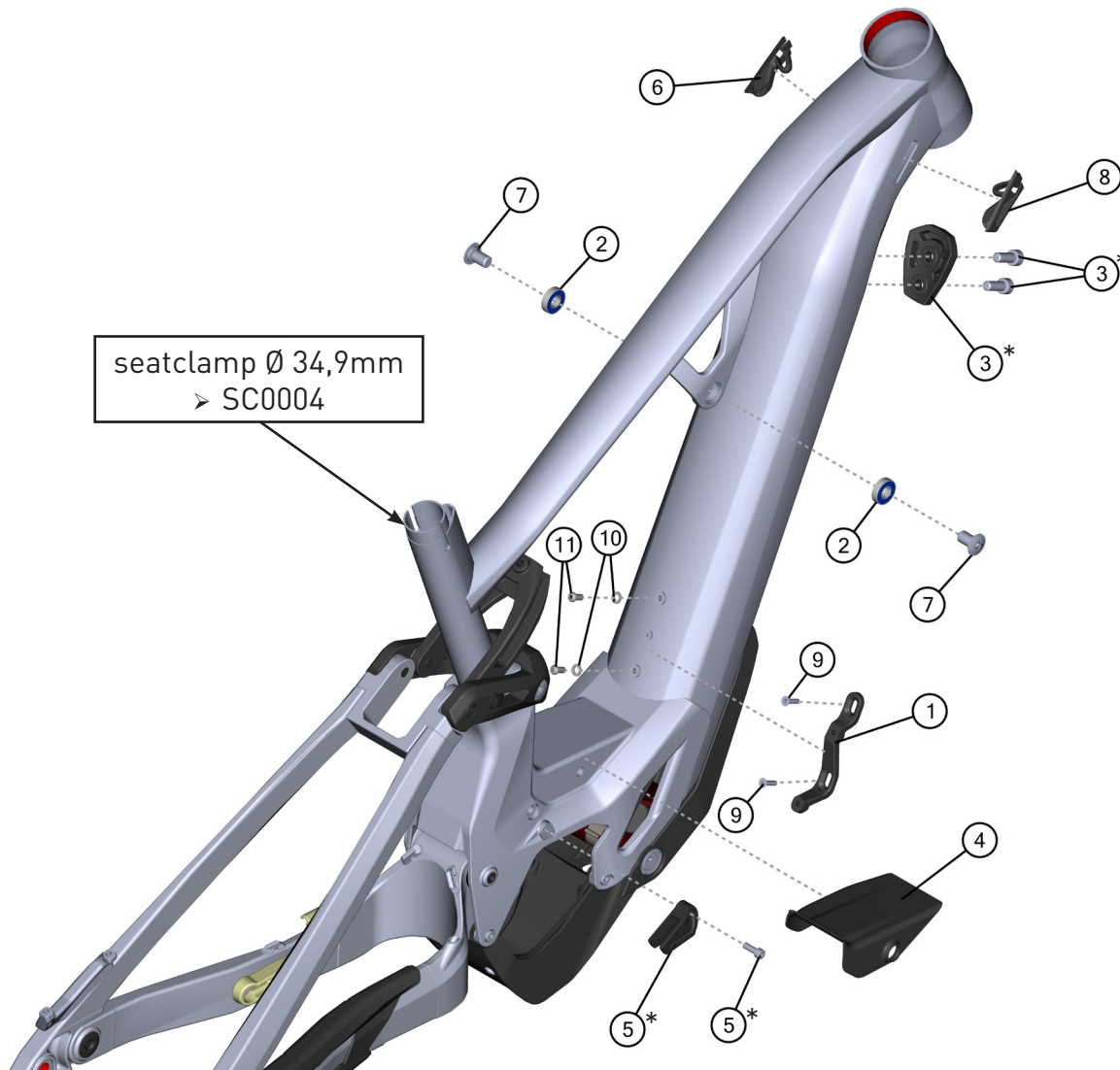
version: 02

page 1 / 12

# ÜBERSICHTSZEICHNUNG

ASSEMBLY DRAWING main frame

# GHOST



**Hinweis:** Bei den Schrauben muss mittelfeste Gewindegewissicherung verwendet werden.  
Rote Flächen müssen gefettet werden.

**Note:** use medium strength screw lock for screw threads.  
red surfaces has to be greased.

FACT SHEET:	
SHOCK LENGTH:	205 MM
SHOCK HARDWARE:	
TOP:	Ø 8 x 15
BOTTOM:	Ø 8 x 15
HEADSET:	
TOP:	ZS 56
BOTTOM:	ZS 56
SEATPOST DIAMETER:	31.6 MM
CLAMP INNER DIAMETER:	34.9 MM
BOTTOM BRACKET:	-----
KICKSTAND:	-----
ISCG STANDARD:	-----

HYB ASX 2.7 / 4.7 / 6.7 (MY20)

date: 02-03-2020

version: 02



# ÜBERSICHTSZEICHNUNG

## ASSEMBLY DRAWING main frame

# GHOST

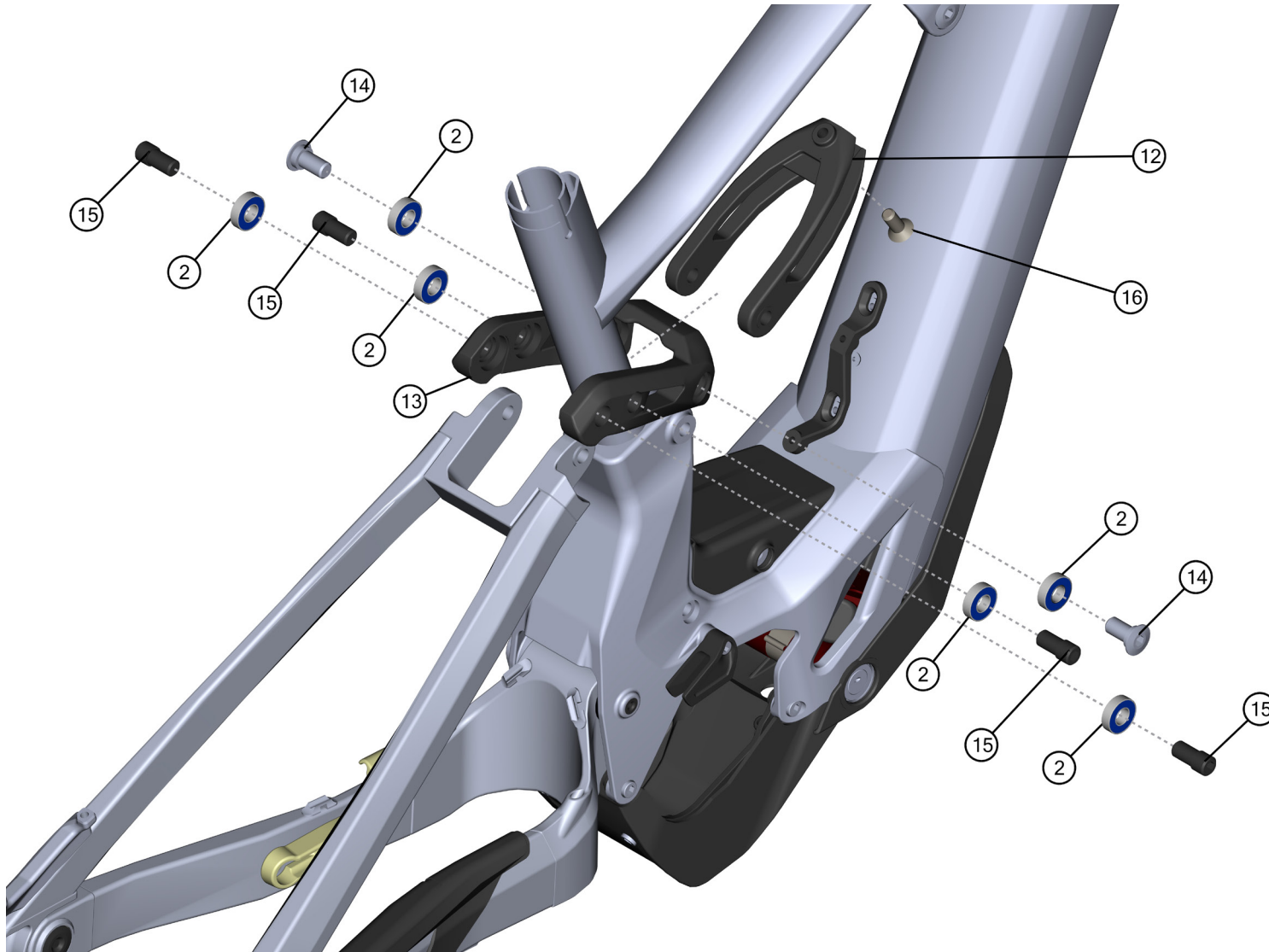
BOM-ID	Description	Specification	Torque	Item no.	QTY
1	Bottle cage bracket			FROT0118	1
2	Bearing 6900 2RS	ø 10 x ø 22 x 6 mm		FROT0119	2
3*	Hexagon socket screw (set incl. fork bumper)	Hex 6 - M8 x 20 mm	22 Nm	FROT0084	2
3*	Fork bumper (set incl. screw)			FROT0084	1
4	Top motor Cover			FROT0083	1
5*	Hexagon socket screw (set incl. chain guide)	Hex 4 - M5 x 12 mm	6 Nm	CG0016	1
5*	Chain guide (set incl. screw)			CG0016	1
6	Cable Inlet Left			FROT0079	1
7	Bolt for Rocker	Hex 6 - ø14 (M10) x 17,5 mm	14 - 18 Nm	FROT0120	2
8	Cable Inlet Right			FROT0078	1
9	Counter sunk screw	Hex 3 - M5 x 12 mm	6 Nm	FRSC0076	2
10	Spacer	ø 5,3 x 11 x 1,2 mm		FROT0121	2
11	Lens head screw	T25 - M5 x 12 mm	6 Nm	FRSC0077	2

# ÜBERSICHTSZEICHNUNG

## ASSEMBLY DRAWING

rocker

# GHOST



**Hinweis:** Bei den Schrauben muss mittelfeste Gewindesicherung verwendet werden.  
Rote Flächen müssen gefettet werden.

**Note:** use medium strength screw lock for screw threads.  
red surfaces has to be greased.

FACT SHEET:	
SHOCK LENGTH:	205 MM
SHOCK HARDWARE:	
TOP:	Ø 8 x 15
BOTTOM:	Ø 8 x 15
HEADSET:	
TOP:	ZS 56
BOTTOM:	ZS 56
SEATPOST DIAMETER:	31.6 MM
CLAMP INNER DIAMETER:	34.9 MM
BOTTOM BRACKET:	-----
KICKSTAND:	-----
ISCG STANDARD:	-----

HYB ASX 2.7 / 4.7 / 6.7 (MY20)

date: 02-03-2020

version: 02

# ÜBERSICHTSZEICHNUNG

## ASSEMBLY DRAWING     rocker

**GHOST**

BOM-ID	Description	Specification	Torque	Item no.	QTY
2	Bearing 6900 2RS	ø 10 x Ø 22 x 6 mm		FROT0119	6
12	Rocker Link-top			FROT0123	1
13	Rocker Link			FROT0124	1
14	Bolt for Rocker	Hex 6 - ø14 (M10) x 17,5 mm	14 - 18 Nm	FROT0125	2
15	Bolt for Rocker	Hex 6 - ø12 (M10) x 17 mm	14 - 18 Nm	FROT0126	4
16	Counter sunk screw	Hex 5 - M8 x 30 mm	22 Nm	FRSC0078	1



HYB ASX 2.7 / 4.7 / 6.7 (MY20)

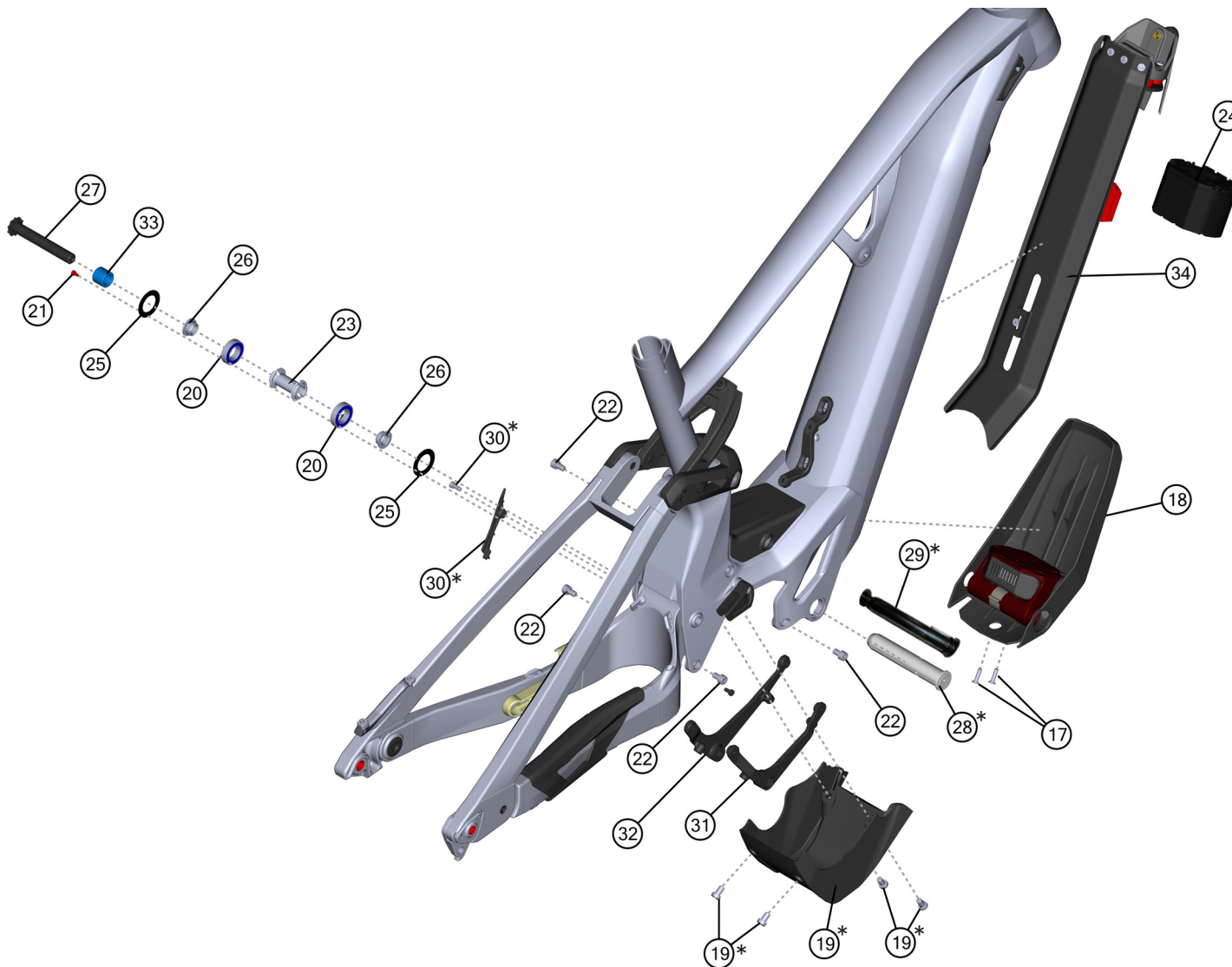
date: 02-03-2020

version: 02

# ÜBERSICHTSZEICHNUNG

## ASSEMBLY DRAWING battery holder

# GHOST



**Hinweis:** Bei den Schrauben muss mittelfeste Gewindesicherung verwendet werden.  
Rote Flächen müssen gefettet werden.

**Note:** use medium strength screw lock for screw threads.  
red surfaces has to be greased.

### FACT SHEET:

SHOCK LENGTH:	205 MM
SHOCK HARDWARE:	
TOP:	Ø 8 x 15
BOTTOM:	Ø 8 x 15
HEADSET:	
TOP:	ZS 56
BOTTOM:	ZS 56
SEATPOST DIAMETER:	31.6 MM
CLAMP INNER DIAMETER:	34.9 MM
BOTTOM BRACKET:	-----
KICKSTAND:	-----
ISCG STANDARD:	-----

HYB ASX 2.7 / 4.7 / 6.7 (MY20)

date: 02-03-2020

version: 02

# ÜBERSICHTSZEICHNUNG

## ASSEMBLY DRAWING battery holder

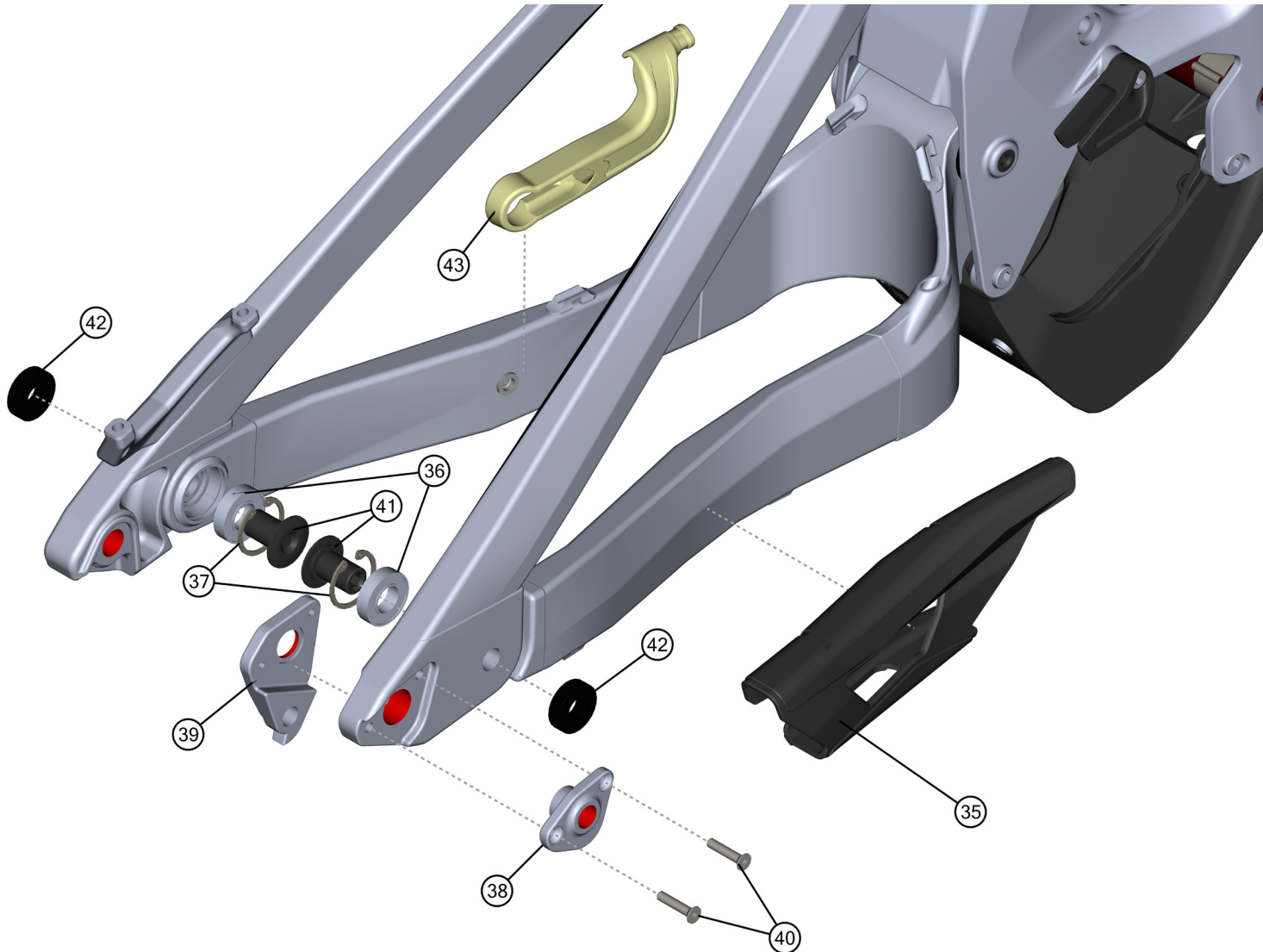
# GHOST

BOM-ID	Description	Specification	Torque	Item no.	QTY
17	Counter sunk screw	Hex 2,5 - M4 x 16 mm	3 Nm	FRSC0085	2
18	Battery Handle			FROT0082	1
19*	Hexagon socket screw (set incl. motor plastic guard)	Hex 5 - M6 x 10 mm	11 Nm	FROT0081	4
19*	Motor plastic guard (set incl. screw)			FROT0081	1
20	Bearing 6902 2RS	ø 15 x ø 28 x 7 mm		FROT0128	2
21	Hexagon socket screw	Hex 3 - M4 x 6 mm	1.5 Nm	FRSC0079	1
22	Hexagon socket screw	Hex 5 - M6 x 10 mm	11 Nm	FRSC0080	4
23	Spacer	ø 14 x ø 23 x 40 mm		FROT0129	1
24	Battery Spacer			FROT0096	1
25	Spacer	ø 20 x ø 32 x 1,1 mm		FROT0130	2
26	Spacer	ø 12 x ø 20 x 7,5 mm		FROT0131	2
27	Main bolt	Hex 6 - ø12 (M12) x 84 mm	18 - 20 Nm	FROT0132	1
28*	Key lock <b>(depending which is installed)</b>			LO0001	1
29*	Battery Threaded axle (set incl. screw + o-ring) <b>(depending which is installed)</b>			FROT0115	1
30*	Side cover (set incl. screw)			FROT0116	1
30*	Hexagon socket screw (set incl. side cover)	Hex 3 - M4 x 10 mm	1.5 Nm	FROT0116	1
31	Motor bracket (right side)			FROT0133	1
32	Motor bracket (left side)			FROT0134	1
33	Bushing	ø 12 x ø 18 x 15,5 mm		FROT0135	1
34	Battery Holder Set			FROT0080	1

# ÜBERSICHTSZEICHNUNG

## ASSEMBLY DRAWING dropout

# GHOST



**Hinweis:** Bei den Schrauben muss mittelfeste Gewindegewissicherung verwendet werden.  
Rote Flächen müssen gefettet werden.

**Note:** use medium strength screw lock for screw threads.  
red surfaces has to be greased.

FACT SHEET:	
SHOCK LENGTH:	205 MM
SHOCK HARDWARE:	
TOP:	Ø 8 x 15
BOTTOM:	Ø 8 x 15
HEADSET:	
TOP:	ZS 56
BOTTOM:	ZS 56
SEATPOST DIAMETER:	31.6 MM
CLAMP INNER DIAMETER:	34.9 MM
BOTTOM BRACKET:	-----
KICKSTAND:	-----
ISCG STANDARD:	-----

HYB ASX 2.7 / 4.7 / 6.7 (MY20)

date: 02-03-2020

version: 02



# ÜBERSICHTSZEICHNUNG

## ASSEMBLY DRAWING dropout

# GHOST

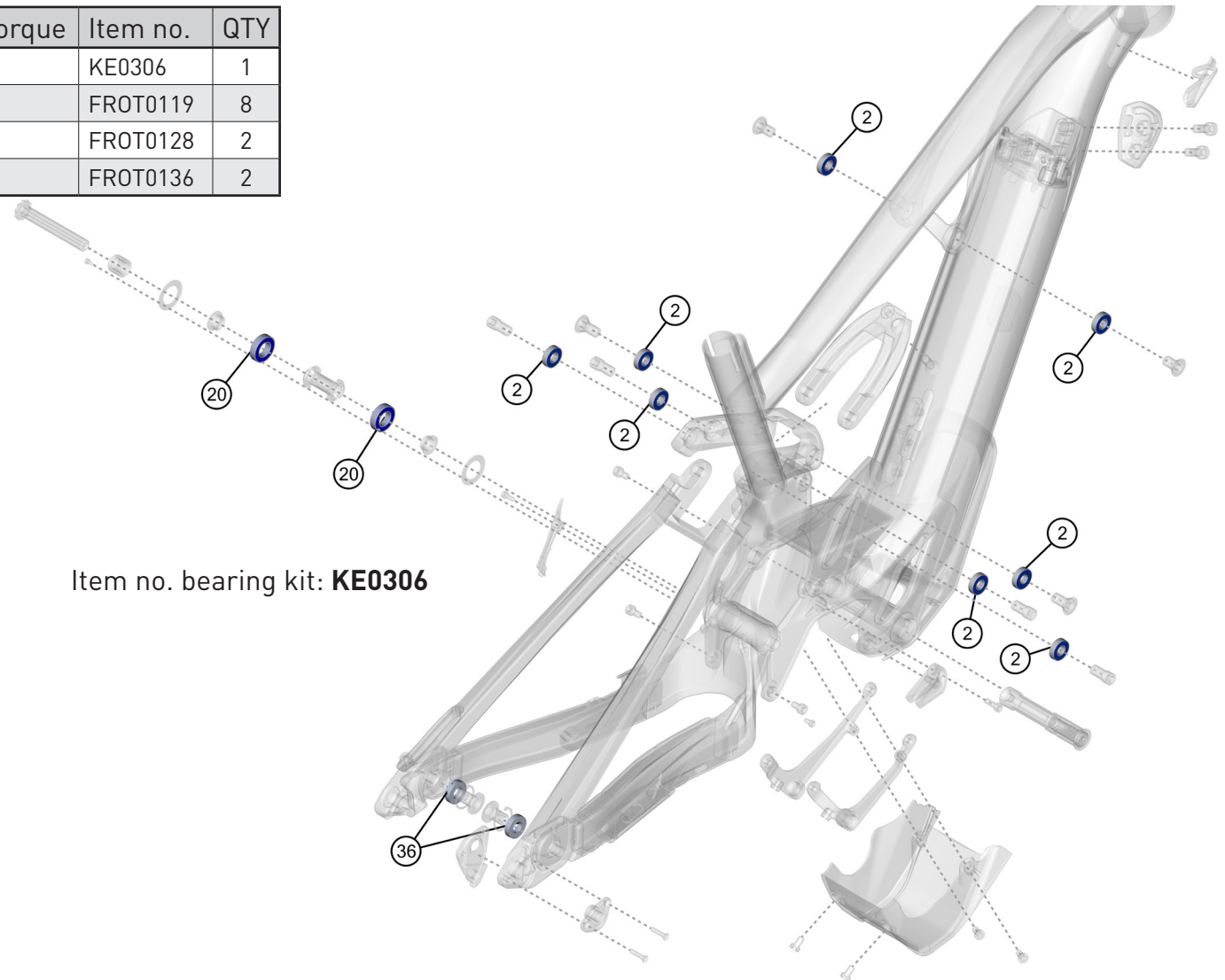
BOM-ID	Description	Specification	Torque	Item no.	QTY
35	Chain protection			SM1712	1
36	Bearing 6901 2RS	ø 12 x ø 24 x 6 mm		FROT0136	2
37	Lock ring	Ø 25,9 mm		FROT0137	2
38	Hanger nut			FROT0138	1
39	Hanger			FROT0139	1
40	Counter sunk screw	Hex 2,5 - M4 x 20 mm	1.5 Nm	FRSC0084	2
41	Bolt	T30 - ø 12 x ø 23 x 21 mm	14 - 18 Nm	FROT0141	2
42	Washer STW-10			FROT0142	2
43	Winning Sensor Holder			FROT0076	1

# ÜBERSICHTSZEICHNUNG

## ASSEMBLY DRAWING bearing kit

**GHOST**

BOM-ID	Description	Specification	Torque	Item no.	QTY
	Bearing kit			KE0306	1
2	Bearing 6900 2RS	ø 10 x ø 22 x 6 mm		FROT0119	8
20	Bearing 6902 2RS	ø 15 x ø 28 x 7 mm		FROT0128	2
36	Bearing 6901 2RS	ø 12 x ø 24 x 6 mm		FROT0136	2



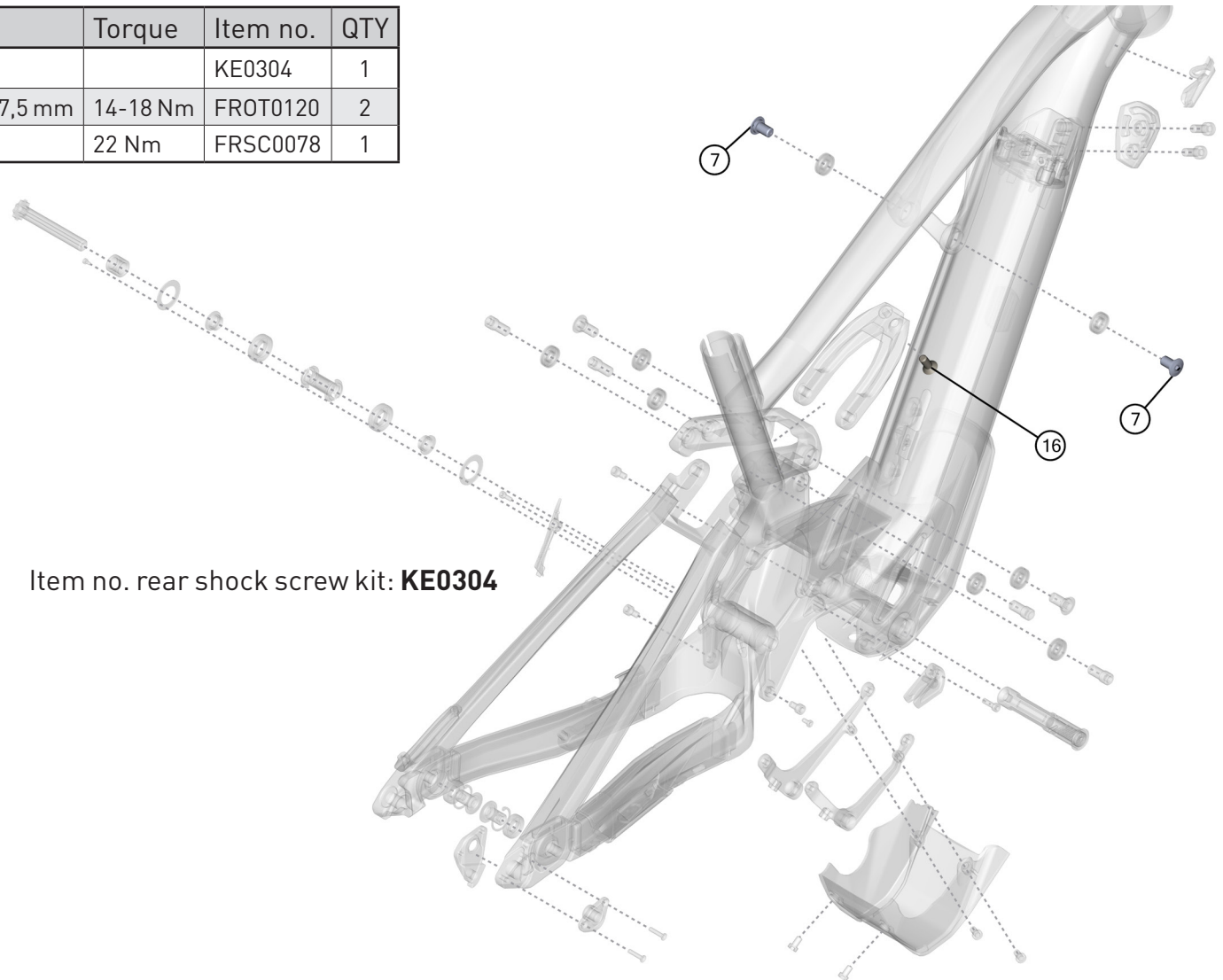
Item no. bearing kit: **KE0306**

# ÜBERSICHTSZEICHNUNG

## ASSEMBLY DRAWING rear shock screw kit

**GHOST**

BOM-ID	Description	Specification	Torque	Item no.	QTY
	Rear shock screw kit			KE0304	1
7	Bolt for Rocker	Hex 6 - $\phi 14$ (M10) x 17,5 mm	14-18 Nm	FR0T0120	2
16	Counter sunk screw	Hex 5 - M8 x 30 mm	22 Nm	FRSC0078	1



Item no. rear shock screw kit: **KE0304**

# ÜBERSICHTSZEICHNUNG

## ASSEMBLY DRAWING axle & screw kit

**GHOST**

Item no. axle and screw kit: **KE0305**

BOM-ID	Description	Specification	Torque	Item no.	QTY
	Axle & srew kit			KE0305	1
14	Bolt for Rocker	Hex 6 - $\varnothing$ 14 (M10) x 17,5 mm	14-18 Nm	FROT0125	2
15	Bolt for Rocker	Hex 6 - $\varnothing$ 12 (M10) x 17 mm	14-18 Nm	FROT0126	4
27	Main bolt	Hex 6 - $\varnothing$ 12 (M12) x 84 mm	18-20 Nm	FROT0132	1
33	Bushing	$\varnothing$ 12 x $\varnothing$ 18 x 15,5 mm		FROT0135	1
41	Bolt	T30 - $\varnothing$ 12 x $\varnothing$ 23 x 21 mm	14-18 Nm	FROT0141	2

